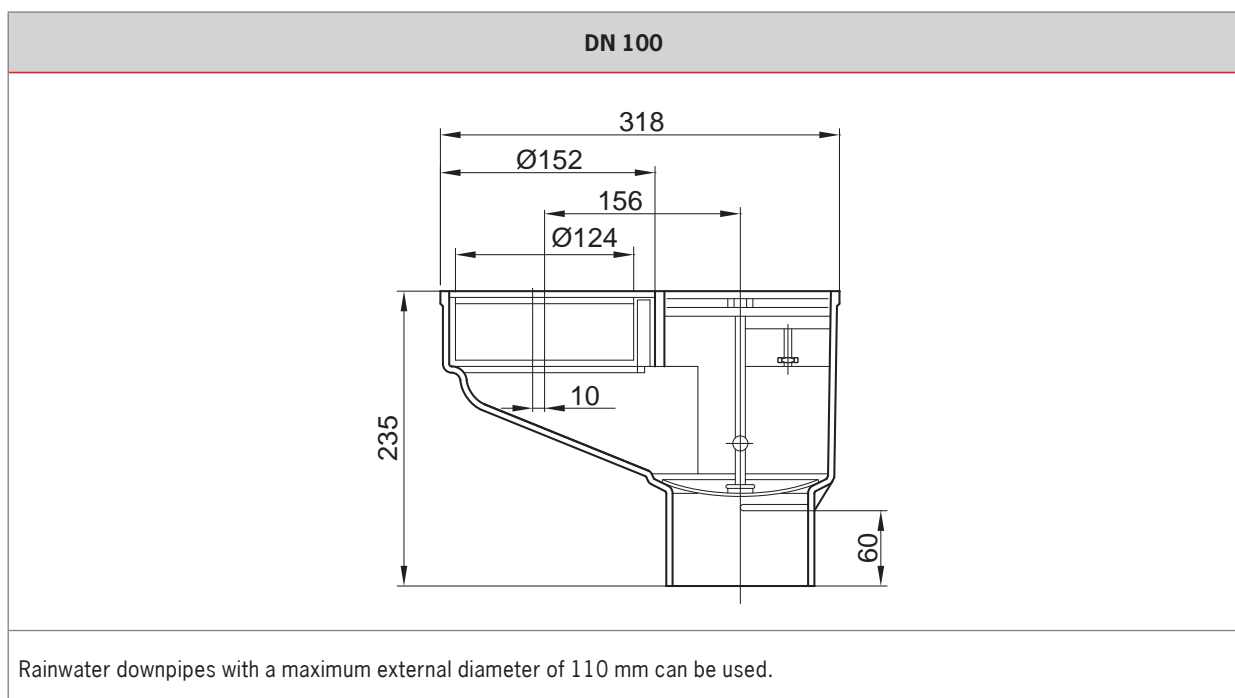


Installation recommendation

Rain pipe drain made of cast iron without an odour seal



- 1** Rain pipe drain, cast iron
DN 100 without odour seal with
PVC dirt sieve
Article No. 5217.90.00



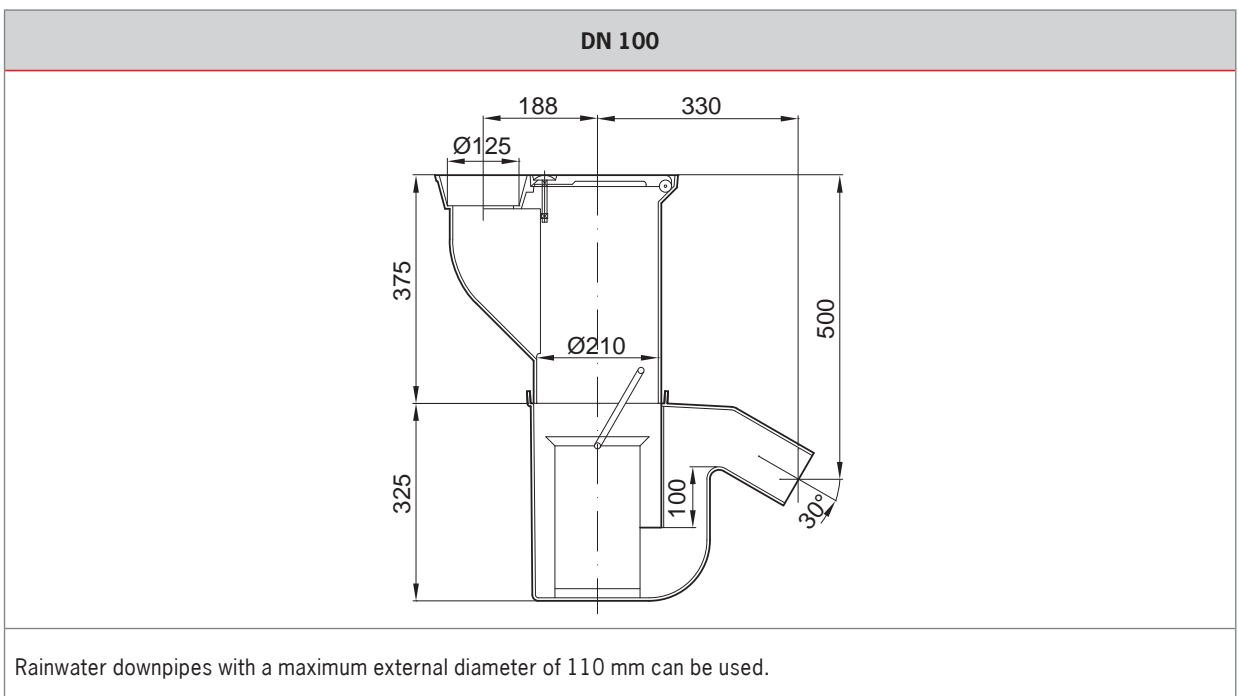
Extension heights in mm.

Installation recommendation

Rain pipe drain, cast iron with odour seal



1 Rain pipe drain, cast iron, DN 100 with odour seal
Article No. 5222.00.00



Extension heights in mm.

Rain pipe drains, cast iron

DN 100



- ACO rain pipe drain DN 100, cast iron, with coating
- Socket outlet inclination depends on model, 90° or 30°
- With/without odour seal depending on model
- With cast iron lid for load class L3 or L15 depending on model

Diagram	Product description	Article No.
	<p>ACO rain pipe drain DN 100, cast iron, with coating, outlet socket inclination 90°, without odour seal with PVC dirt sieve with cast iron lid, class K3, weight 10.3 kg, outflow capacity 2.8 l/s</p>	<p>5217.90.00</p>
	<p>ACO rain pipe drain DN 100, cast iron, with coating, outlet socket inclination 90°, without odour seal, with hard PE bucket, with cast iron lid, class L15, weight 9.6 kg, outflow capacity 8.0 l/s</p>	<p>5217.10.00</p>
	<p>ACO rain pipe drain DN 100, cast iron, coated, outlet socket inclination 30° with odour seal, with hard PE bucket, with cast iron lid class L15, weight 31.9 kg, outflow capacity 9.5 l/s</p>	<p>5222.00.00</p>

Accessories

Diagram	Product description	Suitable for	Model	Article No.
	<p>Adapter piece, cast iron</p>	<p>Drainpipe drain, Article No. 5222.00.00</p>	<p>Height: 300 mm Height: 200 mm</p>	<p>5222.13.00 5222.12.00</p>

Contents

Gravity drainage

Syphonic drainage

Parking deck drainage

Balcony and terrace drainage

Facade drainage

Pipe systems