



*ACO Product catalogue*

**Wall seals**

**Roof penetrations**



## Wall seals

In case of many constructions there is necessary to ensure waterproof and gas-proof wall seals for piping through walls. In order to provide reliable and permanent solution of this issue the company ACO offers APLEX wall seals.

The bushing consists of a corrosion-proof sealing ring for a wide range of outer profiles of perforating piping (15 mm through 275 mm). The sealing elements of the ring made of special rubber are located in the sliding segments made of yellow chromated steel. Under common conditions the APLEX-mono execution is

used while for applications with pressure water activity APLEX-duo wall seals is appropriate.

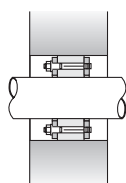
Sealing rings are to be put in the circular opening in a wall which can be made by various means. The easiest way how to make an opening for wall seals is putting the plastic tube of the required outer profile through the wall and its removal after concrete works are finished. Other possibility is also the additional drilling of a hole through the finished wall. Thus the designing is much easier and determination of the exact location and dimension can be per-

formed even prior the technology assembly.

Wall seals are sophisticated and safe solution of waterproof wall seals with the advantage of easy and quick implementation.

### Location of installation:

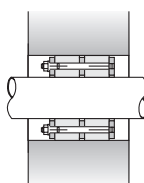
#### Against non-pressure water



mono

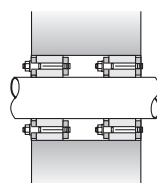
#### Against pressure water

Single-sided sealing



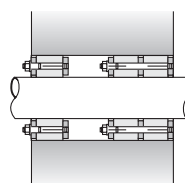
duo

Double-sided sealing



mono/mono

Double-sided sealing



mono/duo



- Massive zinc flange
- Nuts and washers from stainless steel
- Screws with strength of 8.8 screwed and welded to the flange
- Wide sealing, material EPDM with temperature resistance up to 130 °C
- Marking of each product by the hole diameter and the tube diameter range



- Split variant for complement assembly
- Marking of each product by the hole diameter and the tube diameter range

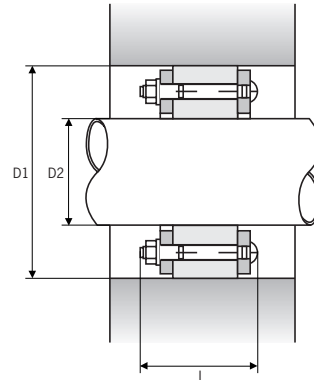
## Wall seals APLEX mono

### Wall seals with single sealing

Against non-pressure water

#### Assembly recommendations:

Due to the possibility of micro-cracks occurrence on the surface of additionally drilled opening, the concrete surface should be treated along the whole length of the opening by protective sealing substance prior installation of the sealing ring.



<i>type</i>	<i>Drill Dimension (D1 mm)</i>	<i>Outside of the pipe (D2 mm)</i>	<i>Length (L mm)</i>	<i>Weight (kg)</i>	<i>Part Nr.</i>
Wall seals	50	15 to 18	53	0,10	70704
with single sealing	50	19 to 22	53	0,17	70705
Sliding segments	80	25 to 28	53	0,55	70706
of yellow chromated steel	80	32 to 35	53	0,54	70707
	80	36 to 40	53	0,53	70708
	100	41 to 44	53	0,72	70709
	100	47 to 51	53	0,71	70710
	100	52 to 56	53	0,69	70711
	125	57 to 61	53	1,33	70712
	125	62 to 65	53	1,30	70713
	125	73 to 76	53	1,27	70714
	150	78 to 81	53	1,70	70715
	150	88 to 91	53	1,65	70716
	150	98 to 102	53	1,60	70717
	200	108 to 112	53	2,78	70718
	200	114 to 118	53	2,72	70719
	200	123 to 126	53	2,67	70720
	200	128 to 132	53	2,62	70721
	200	133 to 136	53	2,59	70722
	200	137 to 141	53	2,56	70723
	250	142 to 146	53	4,46	70724
	250	158 to 162	53	4,35	70725
	250	165 to 170	53	4,23	70726
	250	177 to 181	53	4,11	72692
	300	200 to 204	53	5,59	70727
	300	209 to 212	53	5,49	70728
	300	218 to 221	53	5,40	70729
	300	222 to 225	53	5,31	70730
	350	248 to 252	53	7,00	72956
	350	272 to 275	53	6,90	72957

**Other dimensions and material available on request.**

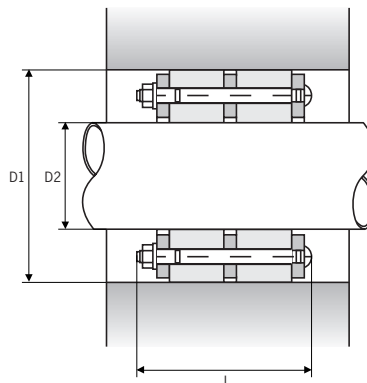
## Wall seals APLEX duo

### Wall seals with double sealing

Against pressure water

#### Assembly recommendations:

Due to the possibility of micro-cracks occurrence on the surface of additionally drilled opening, the concrete surface should be treated along the whole length of the opening by protective sealing substance prior installation of the sealing ring.



type	Drill Dimension (D1 mm)	Outside of the pipe (D2 mm)	Lenght (L mm)	Weight (kg)	Part Nr.
Wall seals	50	15 to 18	78	0,22	70731
with double sealing	50	19 to 22	78	0,22	70732
Sliding segments	80	25 to 28	78	0,70	70733
of yellow chromated steel	80	32 to 35	78	0,68	70734
	80	36 to 40	78	0,66	70735
	100	41 to 44	78	0,94	70736
	100	47 to 51	78	0,92	70737
	100	52 to 56	78	0,88	70738
	125	57 to 61	78	1,66	70739
	125	62 to 65	78	1,60	70740
	125	73 to 76	78	1,54	70741
	150	78 to 81	78	2,16	70742
	150	88 to 91	78	2,04	70743
	150	98 to 102	78	1,92	70744
	200	108 to 112	78	3,56	70745
	200	114 to 118	78	3,44	70746
	200	123 to 126	78	3,34	70747
	200	128 to 132	78	3,24	70748
	200	133 to 136	78	3,18	70749
	200	137 to 141	78	3,12	70750
	250	142 to 146	78	5,64	70751
	250	158 to 162	78	5,42	70752
	250	165 to 170	78	5,18	70753
	250	177 to 181	78	5,1	72693
	300	200 to 204	78	6,98	70754
	300	209 to 212	78	6,78	70755
	300	218 to 221	78	6,60	70756
	300	222 to 225	78	6,42	70757
	350	248 to 252	78	8,4	72958
	350	272 to 275	78	8,3	72959

**Other dimensions and material available on request.**

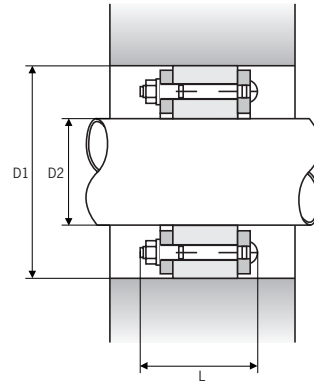
## Wall seals APLEX mono - split variant

### Wall seals with single sealing

Against non-pressure water

#### Assembly recommendations:

Due to the possibility of micro-cracks occurrence on the surface of additionally drilled opening, the concrete surface should be treated along the whole length of the opening by protective sealing substance prior installation of the sealing ring.



<i>type</i>	<i>Drill Dimension (D1 mm)</i>	<i>Outside of the pipe (D2 mm)</i>	<i>Length (L mm)</i>	<i>Weight (kg)</i>	<i>Part Nr.</i>
Wall seals	80	25 to 28	53	0,55	401126
with single sealing	80	32 to 35	53	0,54	401127
Sliding segments	80	36 to 40	53	0,53	401128
of yellow chromated steel	100	41 to 44	53	0,72	401129
	100	47 to 51	53	0,71	401130
	100	52 to 56	53	0,69	401131
	125	57 to 61	53	1,33	401132
	125	62 to 65	53	1,3	401133
	125	73 to 76	53	1,27	401134
	150	78 to 81	53	1,7	401135
	150	88 to 91	53	1,65	401136
	150	98 to 102	53	1,6	401137
	200	108 to 112	53	2,78	401138
	200	114 to 118	53	2,72	401139
	200	123 to 126	53	2,67	401140
	200	128 to 132	53	2,62	401141
	200	133 to 136	53	2,59	401142
	200	137 to 141	53	2,56	401143
	250	142 to 146	53	4,46	401144
	250	158 to 162	53	4,35	401145
	250	165 to 170	53	4,23	401146
	250	177 to 181	53	4,11	401321
	300	200 to 204	53	5,59	401147
	300	209 to 212	53	5,49	401148
	300	218 to 221	53	5,4	401149
	300	222 to 225	53	5,31	401150
	350	248 to 252	53	7	401151
	350	272 to 275	53	6,9	401152

**Other dimensions and material available on request.**

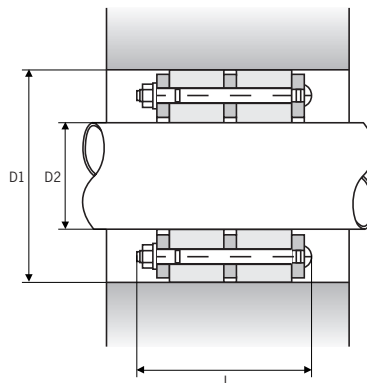
## Wall seals APLEX duo - split variant

### Wall seals with double sealing

Against pressure water

#### Assembly recommendations:

Due to the possibility of micro-cracks occurrence on the surface of additionally drilled opening, the concrete surface should be treated along the whole length of the opening by protective sealing substance prior installation of the sealing ring.



type	Drill Dimension (D1 mm)	Outside of the pipe (D2 mm)	Lenght (L mm)	Weight (kg)	Part Nr.
Wall seals	80	25 to 28	78	0,7	401153
with double sealing	80	32 to 35	78	0,68	401154
Sliding segments	80	36 to 40	78	0,66	401155
of yellow chromated steel	100	41 to 44	78	0,94	401156
	100	47 to 51	78	0,92	401157
	100	52 to 56	78	0,88	401158
	125	57 to 61	78	1,66	401159
	125	62 to 65	78	1,6	401160
	125	73 to 76	78	1,54	401161
	150	78 to 81	78	2,16	401162
	150	88 to 91	78	2,04	401163
	150	98 to 102	78	1,92	401164
	200	108 to 112	78	3,56	401165
	200	114 to 118	78	3,44	401166
	200	123 to 126	78	3,34	401167
	200	128 to 132	78	3,24	401168
	200	133 to 136	78	3,18	401169
	200	137 to 141	78	3,12	401170
	250	142 to 146	78	5,64	401171
	250	158 to 162	78	5,42	401172
	250	165 to 170	78	5,18	401173
	250	177 to 181	78	5,1	401322
	300	200 to 204	78	6,98	401174
	300	209 to 212	78	6,78	401175
	300	218 to 221	78	6,6	401176
	300	222 to 225	78	6,42	401177
	350	248 to 252	78	8,4	401178
	350	272 to 275	78	8,3	401179

Other dimensions and material available on request.

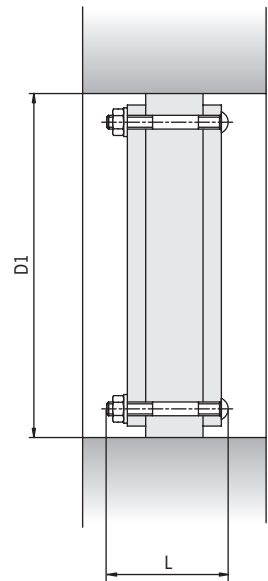
## Wall seals APLEX mono - dead end variant

Wall seals with single sealing

Against non-pressure water

<i>type</i>	<i>Drill Dimension (D1 mm)</i>	<i>Lenght (L mm)</i>	<i>Weight (kg)</i>	<i>Part Nr.</i>
Wall seals	50	53	0,5	401311
	80	53	0,8	401312
	100	53	1,0	401313
	125	53	1,8	401314
	150	53	2,55	401315
	200	53	4,0	401316
	250	53	6,2	401317
	300	53	8,5	401318
	350	53	11,6	401319

**Other dimensions and material available on request.**

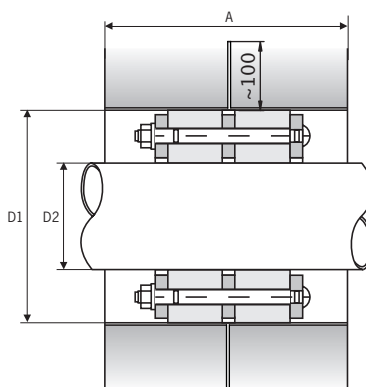
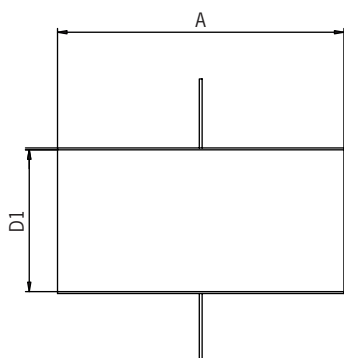


## Wall seals APLEX - liner

**NEW**

### Wall seals liner

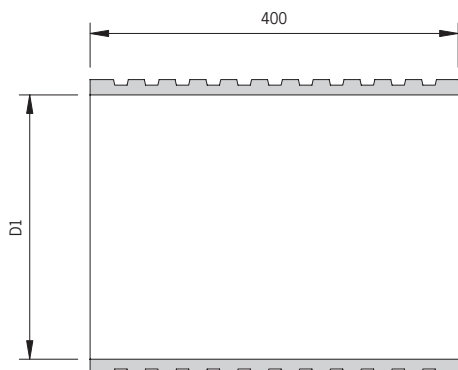
Material: Stainless steel AISI 304



type	A (mm)	D1 (mm)	Weight (kg)	Part Nr.
Wall seals liner	300	50	2	98411
	300	80	2,7	98412
	300	100	3,1	98413
	300	125	3,7	98414
	300	150	4,3	98415
	300	200	5,4	98416
	300	250	6,5	98417
	300	300	7,7	98418
	300	350	8,8	98431
	400	50	2,3	98419
	400	80	3,1	98420
	400	100	3,6	98421
	400	125	4,3	98422
	400	150	5,1	98423
	400	200	6,4	98424
	400	250	7,8	98425
	400	300	9,2	98426
	400	350	10,5	98432

## ACO APLEX wall penetration, I = 400 mm

Material: Polymer concrete



type	D1 (mm)	Weight (kg)	Part. Nr.
Wall seals	100	4,50	70760
	125	5,25	70762
	200	12,50	70764
	250	14,00	70766

Other dimensions and material available on request.

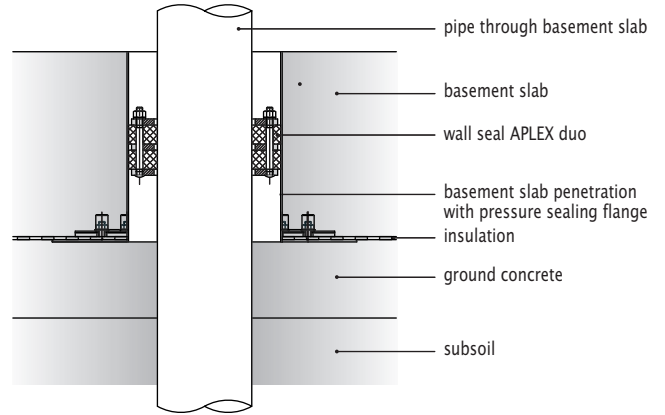
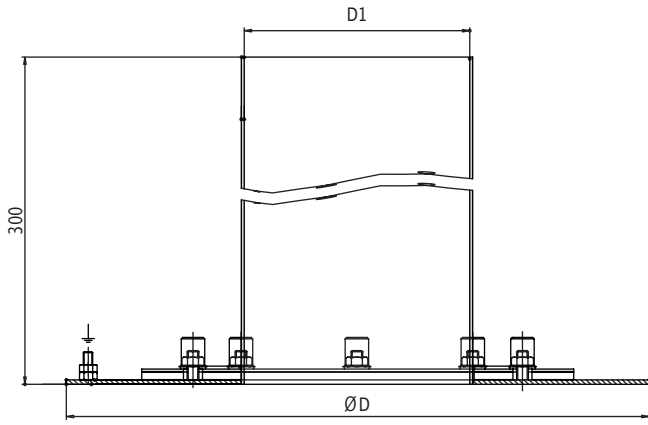


## ACO APLEX

### Basement slab penetration with pressure sealing flange

Material: Stainless steel AISI 304

# NEW



type	D1 (mm)	D (mm)	Weight (kg)	Part Nr.
------	------------	-----------	----------------	----------

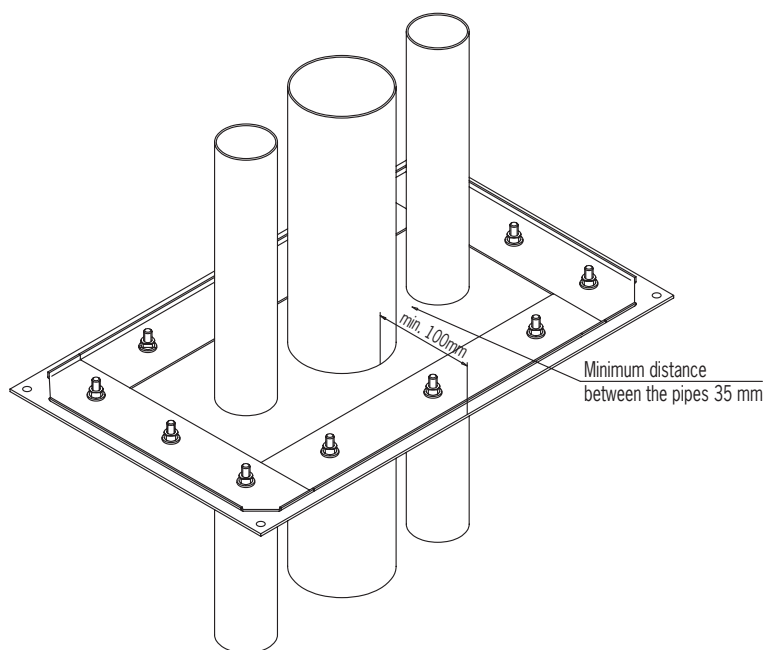
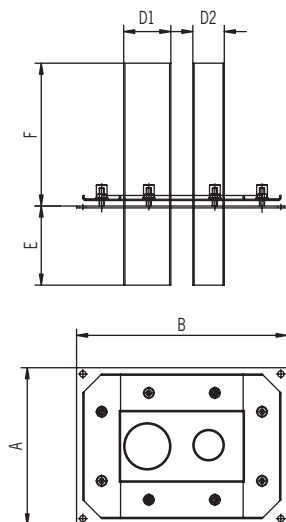
Basement slab penetration	50	250	2,3	405351
	80	280	3,0	405352
	100	300	3,6	405353
	125	325	4,2	405354
	150	350	4,8	405355
	200	400	6	405356
	250	450	7,9	405357
	300	500	8,4	405358
	350	550	9,7	405359

**Other dimensions and material available on request.**

## Roof penetrations in stainless steel

Roof penetrations from high-quality stainless steel  
for fixing into ceiling with the pressure sealing flange  
Material AISI 304 or 316

All dimensions and material available on request.





**[www.aco.com](http://www.aco.com)**

**The ACO Group – a strong family you can trust.**

All reasonable care has been taken in compiling the information in this document. All recommendations and suggestions on the use of ACO products are made without guarantee since the conditions of use are beyond the control of the Company. It is the customer's responsibility to ensure that each product is fit for its intended purpose and that the actual conditions of use are suitable. This brochure and any advice is provided free of charge and accordingly on terms that no liability (including liability for negligence) will attach to the Company or its servants or agents arising out of or in connection with or in relation to this brochure or any such advice. Any goods supplied by the Company will be supplied solely upon its standard conditions of sale, copies of which are available on request. The Company's policy of continuous product development and improvement renders specifications liable to modification. Information provided in this brochure is therefore subject to change without prior notification.